

job name:   
 type:

24"/36"/48" )(ula™ spec sheet 90CRI

**material**

**trim ring**

an hourglass curved profile with a soft bullnose bottom return. precision 6063 prime T5 aluminum extrusions roll-formed into a perfect circle. powder coated matte white (MW) finish.

**diffuser**

.118" thick laser cut optimum light diffusion acrylic. 72% light transmission with matte surface providing light scattering glare reduction. Colorless diffusion significantly reducing color shift of the LED's.

**LED**

custom LED board in 3000K, 3500K, or 4000K 90cri. employing Samsung 281B mid power LEDs. LEDs are rated >50,000 hours L70 (10K) at 85°C per LM-80 test data, and 70,000 hours projected life per IES TM-21. slim 5C (3-18/2-22) white power cord is standard with other color options listed below.

**driver**

constant current, class P class 2 power unit, class A sound rating, universal input (120-277V) programmable driver, 1% minimum dimming level, PF >0.90. protections include short circuit, input/output isolation and surge protection (3KV). wired for 0-10v dimming from factory.

**mounting**

5"dia. spun steel canopy in satin white. three point vertical suspension of 12 ft long stainless steel cables attach to trim with field adjustable grippers that allow for exact AFF mounting heights. optional tripod to single point cable suspension (TPD). see notes below.

**finish**


standard matte white powder coat painted finish. premium finish process for colored rings starts with matte white powder coat to preserve fixture performance. frame is masked to keep color from penetrating light chamber. top coat is then applied.

**emergency**

when required, recommend use of inverter (by other).



catalog number

size	direct LED CCT lumens	indirect LED CCT lumens	standard finish	options
<b>P7424</b> (2ft) 24"dia X 4.5"ht	<b>27</b> 2700K <b>LO</b> 3240 lm <b>30</b> 3000K <b>HI</b> 6480 lm <b>35</b> 3500K <b>CL</b> xxxx lm custom lumens consult factory <b>40</b> 4000K	<b>27</b> 2700K <b>LO</b> 1555 lm <b>30</b> 3000K <b>HI</b> 3110 lm <b>35</b> 3500K <b>NUL</b> no uplight <b>40</b> 4000K <b>CL</b> xxxx lm custom lumens consult factory	<b>MW</b> matte white  <b>premium finish</b> <b>RAL</b> specify RAL #  <b>RAL</b> contact factory for information on gloss levels available.	<b>BKPC</b> Black power cord and canopy <b>DCDM</b> Dual circuit dimming (requires second power cord) <b>FTL</b> Frosted top lens <b>SBPC</b> Silver braid power cord and white canopy <b>TPD</b> Tripod hanging system**  ** tripod suspension requires min. leg length. see page 2 for details
<b>P7436</b> (3ft) 36"dia X 4.5"ht	<b>27</b> 2700K <b>LO</b> 4860 lm <b>30</b> 3000K <b>HI</b> 9720 lm <b>35</b> 3500K <b>CL</b> xxxx lm custom lumens consult factory <b>40</b> 4000K	<b>27</b> 2700K <b>LO</b> 2335 lm <b>30</b> 3000K <b>HI</b> 4665 lm <b>35</b> 3500K <b>NUL</b> no uplight <b>40</b> 4000K <b>CL</b> xxxx lm custom lumens consult factory		
<b>P7448</b> (4ft) 48"dia X 4.5"ht (40 lbs)	<b>27</b> 2700K <b>LO</b> 6305 lm <b>30</b> 3000K <b>HI</b> 12610 lm <b>35</b> 3500K <b>CL</b> xxxx lm custom lumens consult factory <b>40</b> 4000K	<b>27</b> 2700K <b>LO</b> 2970 lm <b>30</b> 3000K <b>HI</b> 5940 lm <b>35</b> 3500K <b>NUL</b> no uplight <b>40</b> 4000K <b>CL</b> xxxx lm custom lumens consult factory		



job name:   
 type:

60"/72" )(ula™ spec sheet 90CRI

**material**

**trim ring**

an hourglass curved profile with a soft bullnose bottom return. precision 6063 prime T5 aluminum extrusions roll-formed into a perfect circle. powder coated matte white (MW) finish.

**diffuser**

.118" thick laser cut optimum light diffusion acrylic. 72% light transmission with matte surface providing light scattering glare reduction. Colorless diffusion significantly reducing color shift of the LED's.

**LED**

custom LED board in 3000K, 3500K, or 4000K 90cri. employing Samsung 281B mid power LEDs. LEDs are rated >50,000 hours L70 (10K) at 85°C per LM-80 test data, and 70,000 hours projected life per IES TM-21. slim 5C (3-18/2-22) white power cord is standard with other color options listed below.

**driver**

constant current, class P class 2 power unit, class A sound rating, universal input (120-277V) programmable driver, 1% minimum dimming level, PF >0.90. protections include short circuit, input/output isolation and surge protection (3KV). wired for 0-10v dimming from factory.

**mounting**

5"dia. spun steel canopy in satin white. three point vertical suspension of 12 ft long stainless steel cables attach to trim with field adjustable grippers that allow for exact AFF mounting heights. optional tripod to single point cable suspension (TPD). see notes below.

**finish**


standard matte white powder coat painted finish. premium finish process for colored rings starts with matte white powder coat to preserve fixture performance. frame is masked to keep color from penetrating light chamber. top coat is then applied.

**emergency**

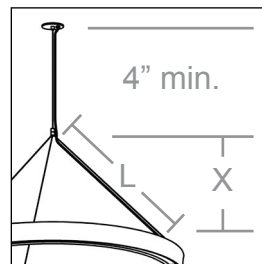
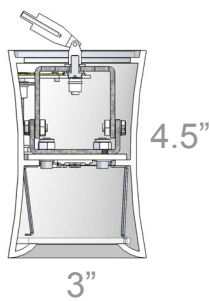
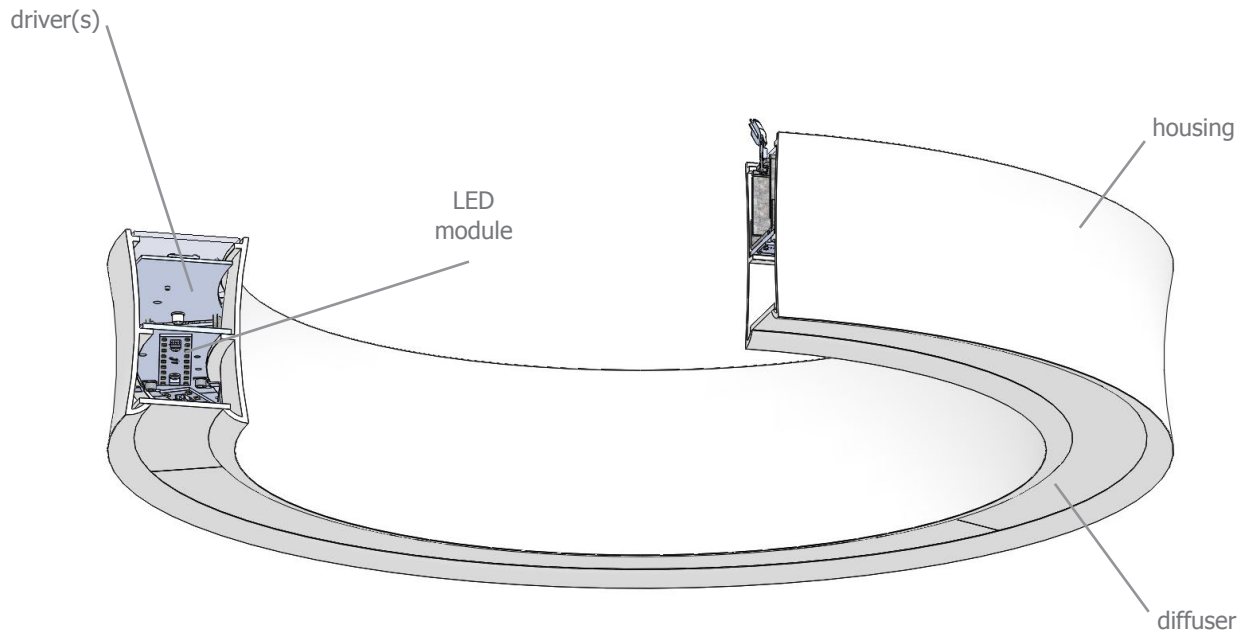
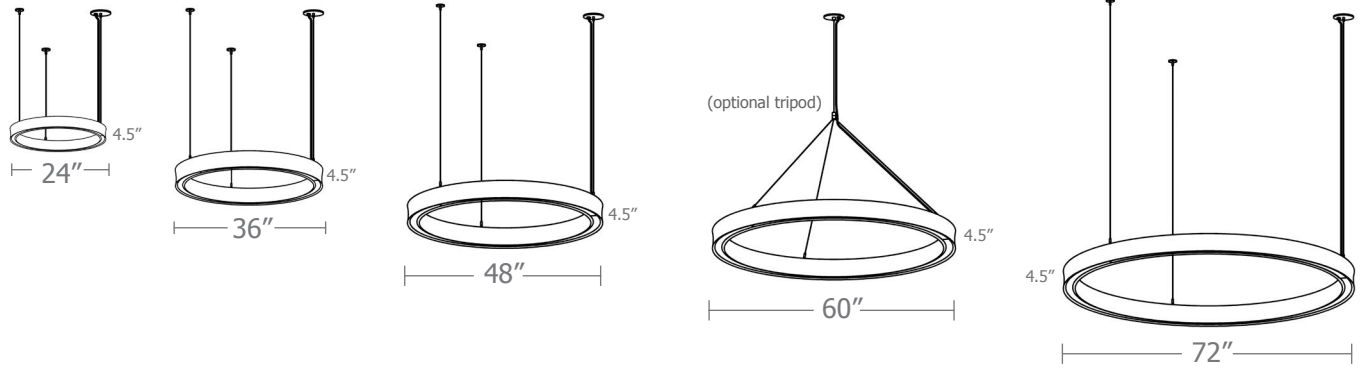
when required, recommend use of inverter (by other).



catalog number

size	direct LED CCT lumens	indirect LED CCT lumens	standard finish	options
<b>P7460*</b> (5ft) 60"dia X 4.5"ht (50 lbs)	<b>27</b> 2700K <b>LO</b> 7920 lm <b>30</b> 3000K <b>HI</b> 15840 lm <b>35</b> 3500K <b>CL</b> xxxx lm custom lumens consult factory <b>40</b> 4000K	<b>27</b> 2700K <b>LO</b> 4475 lm <b>30</b> 3000K <b>HI</b> 8950 lm <b>35</b> 3500K <b>NUL</b> no uplight <b>40</b> 4000K <b>CL</b> xxxx lm custom lumens consult factory	<b>MW</b> matte white  <b>premium finish</b> <b>RAL</b> specify RAL #  <b>RAL</b> contact factory for information on gloss levels available.	<b>BKPC</b> Black power cord and canopy <b>DCDM</b> Dual circuit dimming (requires second power cord) <b>FTL</b> Frosted top lens <b>SBPC</b> Silver braid power cord and white canopy <b>TPD</b> Tripod hanging system**
<b>P7472*</b> (6ft) 72"dia X 4.5"ht (60 lbs) * requires structural mount	<b>27</b> 2700K <b>LO</b> 10025 lm <b>30</b> 3000K <b>HI</b> 20050 lm <b>35</b> 3500K <b>CL</b> xxxx lm custom lumens consult factory <b>40</b> 4000K	<b>27</b> 2700K <b>LO</b> 5305 lm <b>30</b> 3000K <b>HI</b> 10610 lm <b>35</b> 3500K <b>NUL</b> no uplight <b>40</b> 4000K <b>CL</b> xxxx lm custom lumens consult factory		<b>** tripod suspension requires min. leg length. see page 2 for details</b>



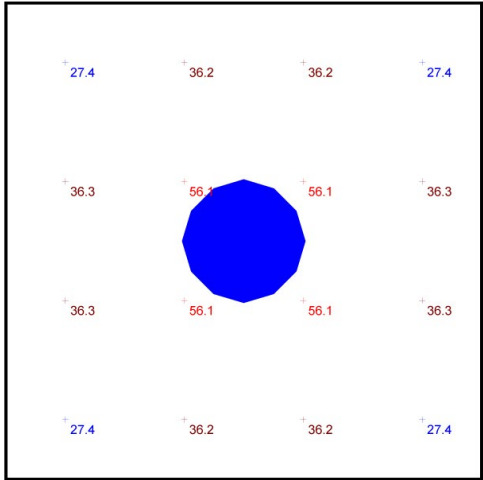


tripod suspension  
requires min. leg length.

	L	X
<b>P7424</b>	14" leg	6.5"
<b>P7436</b>	21" leg	10"
<b>P7448</b>	28" leg	14"
<b>P7460</b>	35" leg	17"
<b>P7472</b>	42" leg	21"

## 48" Typical Lighting Layout

- 16' x 16' x 16'H space
- 80/50/20 reflectances
- bottom of fixture at 12' aff
- FC readings at 2.5' aff
- layout conducted using HI / HI lumen package (12610 direct / 5940 indirect delivered lumens)



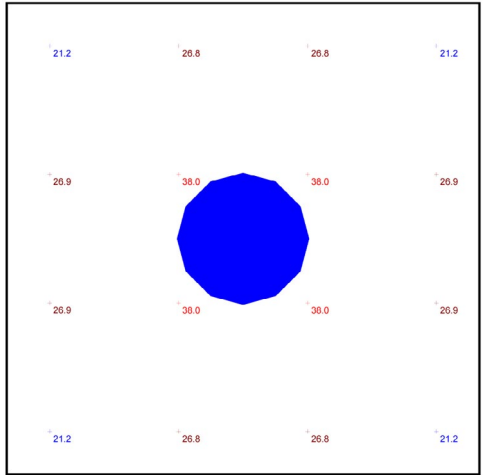
**Plan View**  
Scale - 1" = 4ft

Statistics						
Description	Symbol	Avg	Max	Min	Max/Min	Avg/Min
(1) 4' dia )(ula	+	39.0 fc	56.1 fc	27.4 fc	2.0:1	1.4:1

Schedule						
Symbol	Quantity	Manufacturer	Catalog Number	Description	Lamp	Wattage
	1	Impact Architectural Lighting	P7448 40HI 40HI	48" dia. pendant ring )(ula luminaire w/ up/down dist.	4000k 90cri LED	211

## 72" Typical Lighting Layout

- 22' x 22' x 22'H space
- 80/50/20 reflectances
- bottom of fixture at 18' aff
- FC readings at 2.5' aff
- layout conducted using HI / HI lumen package (20050 direct / 10610 indirect delivered lumens)



**Plan View**  
Scale - 1" = 4ft

Statistics						
Description	Symbol	Avg	Max	Min	Max/Min	Avg/Min
(1) 6' dia )(ula	+	28.2 fc	38.0 fc	21.2 fc	1.8:1	1.3:1

Schedule						
Symbol	Quantity	Manufacturer	Catalog Number	Description	Lamp	Wattage
	1	Impact Architectural Lighting	P7472 40HI 40HI	72" dia. ring pendant )(ula luminaire w/ up/down dist.	4000k 90cri LED	333



## Quick Calc Table

Tests indicated below are a combination of direct and indirect. LLF are as close as possible.

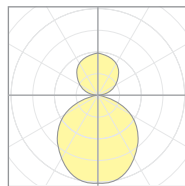
for more detailed calculations see table on next page.

Cat No	Direct Delivered* Lumens	Indirect Delivered* Lumens	Watts 120V / 277V	IES File #	LLF to be applied
<b>P7424</b>	see Advanced Calc Table (next page)				
<b>P7436</b>					
<b>P7448 LO LO</b>	6305	2970	106	<b>20538</b>	.50
<b>P7448 HI HI</b>	12610	5940	213	<b>20538</b>	1.00
<b>P7460 LO LO</b>	7920	4475	142	<b>20535</b>	.40
<b>P7460 HI HI</b>	15840	8950	283	<b>20535</b>	.71
<b>P7472 LO LO</b>	10025	5305	174	<b>20535</b>	.50
<b>P7472 HI HI</b>	20050	10610	350	<b>20535</b>	1.00

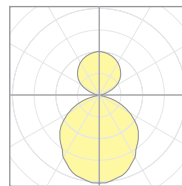
\*delivered lumens based on 4000K, 90+ cri

The application of a Light Loss Factor is required to:

- match the lumen output for the power module specified
- incorporate the increased lumen output due to LED/Driver upgrades



**20538**  
P7448-40HI-40HI



**20535**  
P7472-40HI-40HI

## Advanced Calculation Table

Tests are for each element separately and must be "stacked" to represent single fixture  
Consult factory for applications assistance

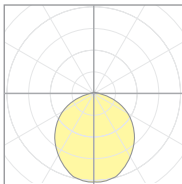
### Direct

Cat No		Deliv- ered* Lumens	Watts 120V/277V	IES File #	LLF to be applied
<b>P7424</b>	<b>LO</b>	3240	42	<b>20774</b>	.61
	<b>HI</b>	6480	86	<b>20774</b>	1.21
<b>P7436</b>	<b>LO</b>	4860	64	<b>20776</b>	.56
	<b>HI</b>	9720	129	<b>20776</b>	1.13
<b>P7448</b>	<b>LO</b>	6305	81	<b>20539</b>	.49
	<b>HI</b>	12610	162	<b>20539</b>	.99
<b>P7460</b>	<b>LO</b>	7920	105	<b>20778</b>	.57
	<b>HI</b>	15840	210	<b>20778</b>	1.14
<b>P7472</b>	<b>LO</b>	10025	133	<b>20536</b>	.50
	<b>HI</b>	20050	267	<b>20536</b>	1.00

### Indirect

	Deliv- ered* Lumens	Watts 120V/277V	IES File #	LLF to be applied
<b>LO</b>	1555	13	<b>20773</b>	.53
<b>HI</b>	3110	25	<b>20773</b>	1.06
<b>LO</b>	2335	19	<b>20775</b>	.50
<b>HI</b>	4665	38	<b>20775</b>	.99
<b>LO</b>	2970	25	<b>20540</b>	.49
<b>HI</b>	5940	51	<b>20540</b>	.99
<b>LO</b>	4475	37	<b>20777</b>	.51
<b>HI</b>	8950	73	<b>20777</b>	1.01
<b>LO</b>	5305	41	<b>20537</b>	.51
<b>HI</b>	10610	83	<b>20537</b>	1.01

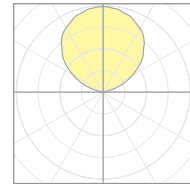
\*delivered lumens based on 4000K, 90+ cri



**20539**  
P7448-40HI-NUL

The application of a Light Loss Factor is required to:

- match the lumen output for the power module specified
- incorporate the increased lumen output due to LED/Driver upgrades



**20540**  
P7448-NDL-40HI